

Job: \_\_\_\_\_  
 Location: \_\_\_\_\_  
 Schedule No.: \_\_\_\_\_  
 System Designation: \_\_\_\_\_

Engineer: \_\_\_\_\_  
 Architect: \_\_\_\_\_  
 Location: \_\_\_\_\_  
 Date: \_\_\_\_\_  
 For:  Reference  Approval  Review  Construction

## Floor Standing Indoor Unit (Exposed)

### FEATURES

- Pre Heat Function
- Auto Addressing
- Auto Restart
- Electronic Expansion Valve
- High-Efficiency DC Motor
- Receiver/Display Panel
- Air Filter
- Flare Connections
- Refrigerant R-410A
- Six Capacity Sizes from 7,500 to 24,000 Btu/h

### WARRANTY

- 10-year limited warranty.\*See warranty for details.

### SPECIFICATIONS

#### PERFORMANCE

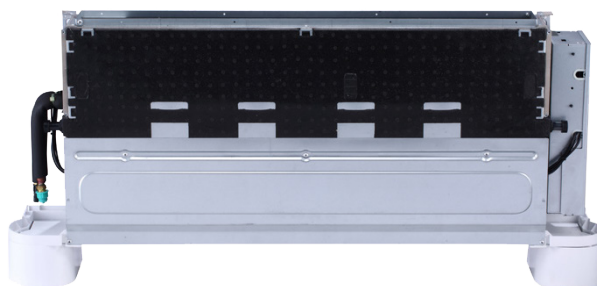
Cooling Capacity <sup>1</sup> (Btu/h)	24,000
Heating Capacity <sup>1</sup> (Btu/h)	27,000
Airflow (CFM)	Low/Medium/High 429/492/552
External Static Pressure (in. w.g.)	0-0.4
Sound (dBA)	Low/Medium/High 38.5/41.1/43.5

#### ELECTRICAL DATA

Power Supply (Volts/Hertz/Phase)	208-230/60/1
Minimum Circuit Ampacity (MCA) (A)	0.64
Maximum Overcurrent Protection (MOP) (A)	15
Cooling Power Input (W)	53
Cooling Rated Current (A)	0.4
Heating Power Input (W)	57
Heating Rated Current (A)	0.4
Indoor Fan Motor Input (W)	60

#### DIMENSIONS

Unit Dimensions (in)	Width	49-3/8
	Height	22-1/4
	Depth	7-7/8
Liquid Pipe Connection (in) (I.D.)		3/8
Gas Pipe Connection (in) (I.D.)		5/8
Drain Connection (in) (O.D.)		3/4
Net Weight (lb)		59
Shipping Weight (lb)		71



### OPTIONAL ACCESSORIES

<input type="checkbox"/> Support Feet	V8VSA001-3P
<input type="checkbox"/> Hotel Keycard Interface	VOCTRL88P-1

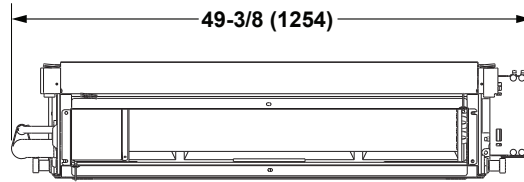
### NOTES

1. Cooling and Heating capacity data is rated at the following conditions:  
 Cooling: 80°FDB / 67°FWB Indoor, 95°FDB  
 Outdoor Heating: 70°FDB Indoor, 47°FDB / 43°FWB Outdoor.

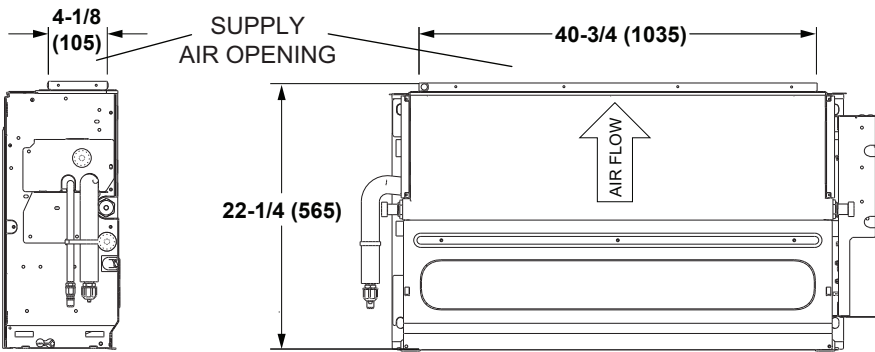


**DIMENSIONAL DRAWINGS - INCHES (MM)**

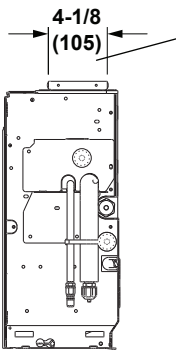
**VSEA024H4**



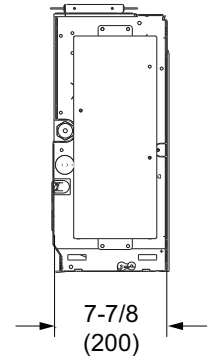
**TOP VIEW**



**FRONT VIEW**



**LEFT SIDE VIEW**



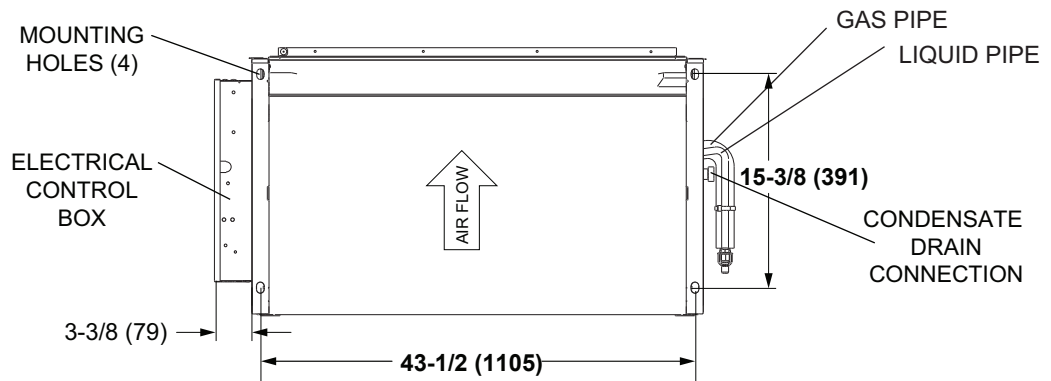
**RIGHT SIDE VIEW**

RETURN AIR OPENING (Bottom)

NOTE - Optional Feet (not shown) add 3-1/2 in. (89 mm) to the overall height



**BOTTOM VIEW**



**BACK VIEW**